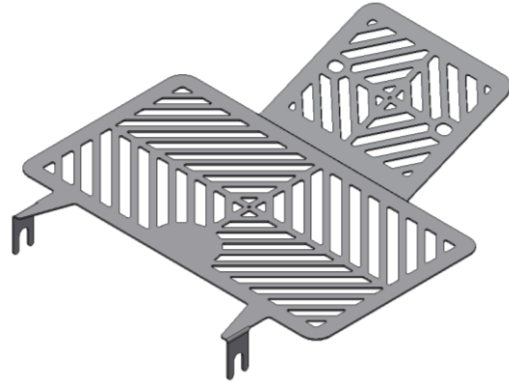




FITTING INSTRUCTIONS FOR SRG0068 RADIATOR GUARD
DUCATI SCRAMBLER 1100 2018 –



THIS KIT CONTAINS THE ITEMS PICTURED AND LABELLED BELOW.
DO NOT PROCEED UNTIL YOU ARE SURE ALL PARTS ARE PRESENT.

Please note that the way the kit is packed does not necessarily represent the way of mounting to the bike

Please note that in cases where kits are packed with rubber washers holding the components onto the bolt – *the rubber washers should be thrown away!*

THE PARTS SHOWN MAY BE REPRESENTATIVE ONLY (FOR CLARITY OF INSTRUCTIONS ONLY)

Digital copies of these instructions are available to download from www.rg-racing.com

GENERAL TORQUE SETTINGS

M4 BOLT = 8Nm
M5 BOLT = 12Nm
M6 BOLT = 15Nm
M8 BOLT = 20Nm
M10 BOLT = 40Nm

TOOLS REQUIRED

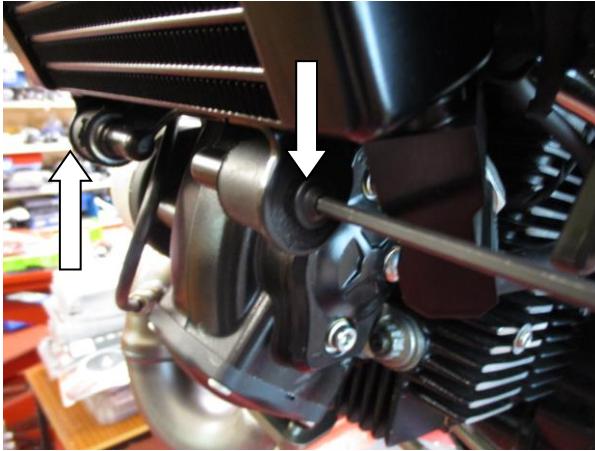
- Comprehensive Allen key set
- Comprehensive socket set and wrench

THIS KIT CONTAINS

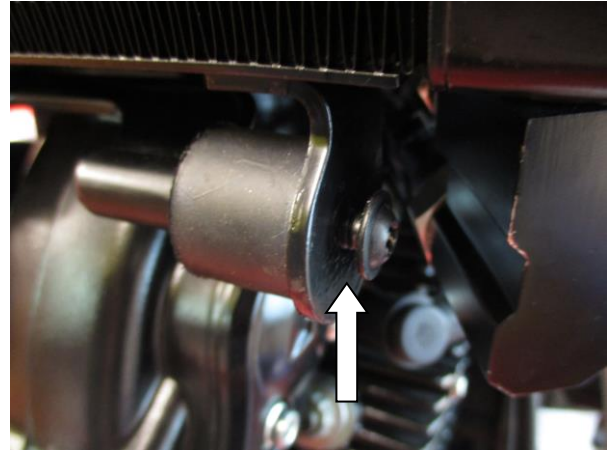
- 1 x Stainless radiator guard (SRG0068)
 - 2 x S0833 SPACER
- 2 x M6 x 10mm Long button head bolts
 - 2 x M6 Washers
- 2 x 100mm lengths of self-adhesive foam

R&G

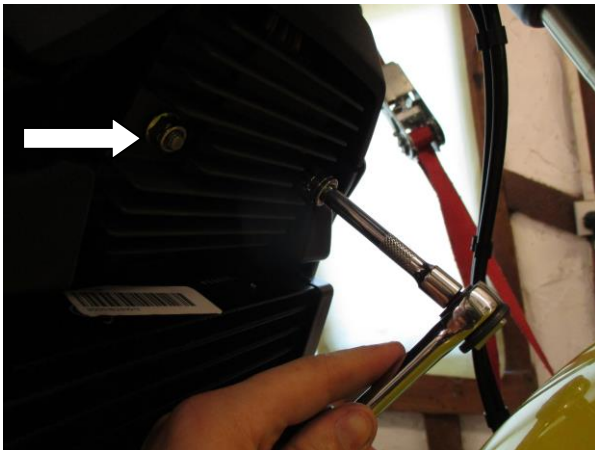
Unit 1, Shelley's Lane, East Worldham, Alton, Hampshire, GU34 3AQ
Tel: +44 (0)1420 89007 Fax: +44 (0)1420 87301 www.rg-racing.com Email: info@rg-racing.com



Picture 1



Picture 2



Picture 3



Picture 4

FITTING INSTRUCTIONS

- To fit the radiator guard to the bike, cut the foam strips provided into 10mm wide pieces and stick them to the back of the radiator guard frame, so that they sit between the radiator guard and the radiator (please space these evenly all around the radiator guard frame as they prevent the guard coming into contact with the radiator).
- Loosen the two allen bolts located at the bottom of the radiator (highlighted in Picture 1), to allow 3mm clearance between the bolts and the radiator (shown in Picture 2).
- Remove the two nuts securing the voltage regulator (shown in Picture 3) and screw the two threaded spacers provided onto the exposed threads.
- Offer the radiator guard into position, ensuring the two mounting tabs sit over the two lower bolts.
- Secure the radiator guard in place by screwing the two M6 bolts (with washers) through the radiator guard, and into the two threaded spacers.
- Tighten the four bolts up to the correct torque.

ISSUE 1 17/09/2018 (LF)

R&G

Unit 1, Shelley's Lane, East Worldham, Alton, Hampshire, GU34 3AQ
 Tel: +44 (0)1420 89007 Fax: +44 (0)1420 87301 www.rg-racing.com Email: info@rg-racing.com



CONSUMER NOTICE

The catalogue description and any exhibition of samples are only broad indications of the Products and R&G may make design changes which do not diminish their performance or visual appeal and supplying them in such state shall conform to the order. The Buyer acknowledges no representation or warranty (other than as to title) has been given or will apply to the Products other than those in R&G's order or confirmation and the Buyer confirms it has chosen the Products as being of merchantable quality and suitable for its particular purposes. Where R&G fits the Products or undertakes other services it shall exercise reasonable skill and care and rectify any fault free of charge unless the workmanship has been disturbed. The Buyer is responsible for ensuring that the warranty on the motorcycle is not affected by the fitting of the Products. On return of any defective Products R&G shall at its option either supply a replacement or refund the purchase money but shall not be liable if the Products have been modified or used or maintained otherwise than in accordance with R&G's or manufacturer's instructions and good engineering practice or if the defect arises from accident or neglect. Other than identified above and subject to R&G not limiting its liability for causing death and personal injury, it shall not be liable for indirect or consequential loss and otherwise its liability shall be limited to the amounts paid by the Buyer for the Products or the fitting or service concerned. These terms do not affect the Buyer's statutory rights.

R&G RACING RETURNS POLICY (NON-FAULTY GOODS)

Returns must be pre-authorized (if not pre-authorized the return will be rejected). Goods may only be returned direct to us if they were purchased direct from us (customer must prove if necessary). Otherwise to be returned to original vendor. Goods must be in re-sellable condition, in the opinion of R&G Racing. All returns are subject to a 25% restocking and handling fee (25% of the gross value exc. P&P – at the prevailing price at time of purchase). The customer must pay any and all carriage charges. No returns of discontinued products, unless within 14 days of purchase. This policy does not affect your statutory rights and does not refer to faulty goods.

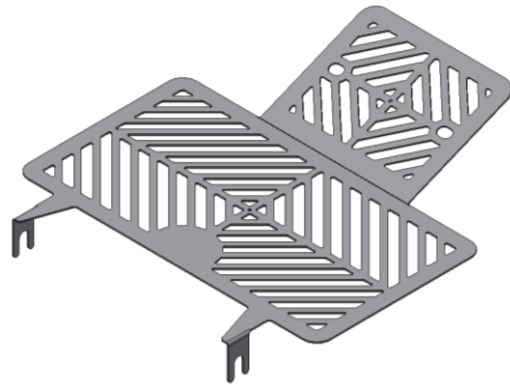
R&G

Unit 1, Shelley's Lane, East Worldham, Alton, Hampshire, GU34 3AQ

Tel: +44 (0)1420 89007 Fax: +44 (0)1420 87301 www.rg-racing.com Email: info@rg-racing.com



NOTICE DE MONTAGE POUR SRG0068
GRILLE DE PROTECTION RADIATEUR
DUCATI SCRAMBLER 1100 2018 –



Le kit contient les articles exposés ci-dessous, vérifier que toutes les pièces soient présentes avant de procéder au montage.

La façon dont le kit est emballé ne correspond pas forcément à la façon de monter les pièces sur la moto.

Notez que si les kits sont emballés avec des rondelles en caoutchouc servant à tenir les composants, ces rondelles doivent être jetées !

**LES PARTIES PRÉSENTÉES PEUVENT ÊTRE UNIQUEMENT REPRESENTATIVES
(POUR LA CLARTE DES INSTRUCTIONS UNIQUEMENT)**

Notice disponible au téléchargement sur www.rg-racing.com

VALEURS DE SERRAGE RECOMMANDEES

M4 BOULON = 8Nm
M5 BOULON = 12Nm
M6 BOULON = 15Nm
M8 BOULON = 20Nm
M10 BOULON = 40Nm

OUTILS REQUIS

- Clés Allen
- Clé à cliquet + douille

- **Le kit doit contenir :**
- 1 x Grille de protection radiateur (SRG0068)
 - 2 x S0833 Entretoise
 - 2 x M6 x 10mm Boulons
 - 2 x M6 Rondelles
- 2 x 100mm Longueurs de mousse autocollante

R&G

Unit 1, Shelley's Lane, East Worldham, Alton, Hampshire, GU34 3AQ
Tel: +44 (0)1420 89007 Fax: +44 (0)1420 87301 www.rg-racing.com Email: info@rg-racing.com

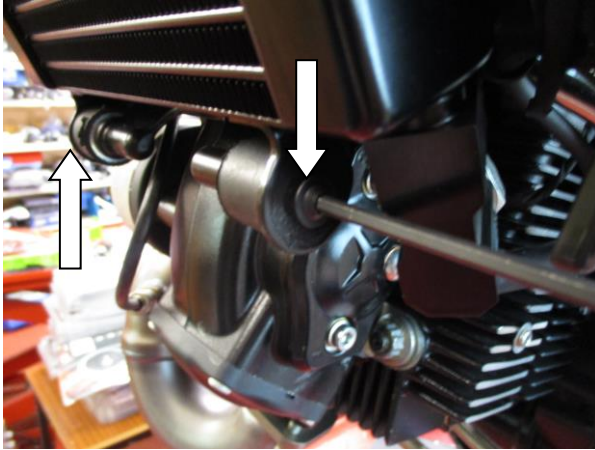


Photo 1

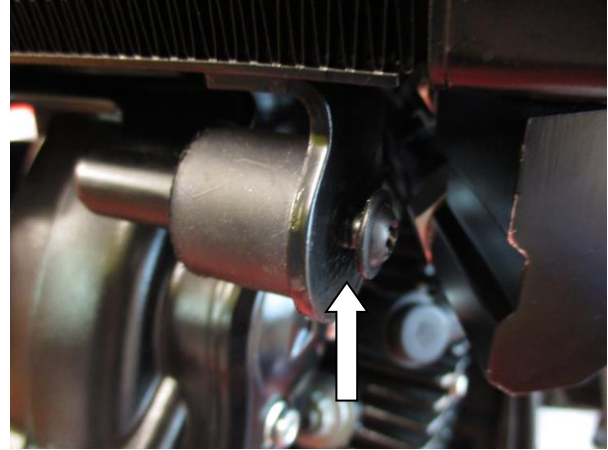


Photo 2

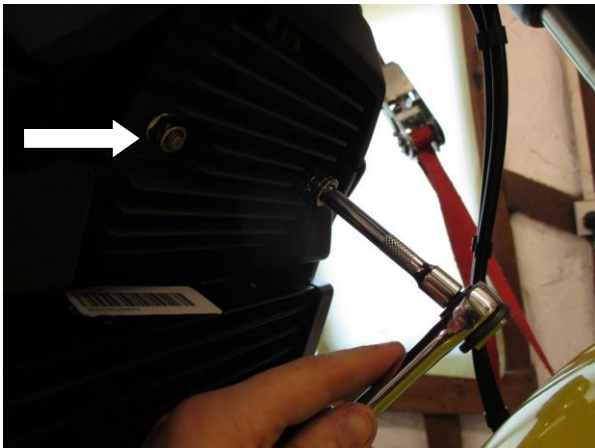


Photo 3



Photo 4

NOTICE DE MONTAGE

- Pour monter la grille de protection radiateur sur la moto, couper la mousse en bandeaux de 10mm puis collez les au bas du cadre de protection radiateur, de façon à ce que ces bandeaux se placent entre la grille de protection radiateur et le radiateur (Espacez les de façon identique tout autour du cadre de protection radiateur afin qu'ils évitent la protection de toucher le radiateur).
- Desserrer les 2 boulons au bas du radiateur (voir Photo 1), pour permettre un espace de 3mm entre les boulons et le radiateur (voir Photo 2).
- Enlever les 2 écrous qui fixent le régulateur de puissance (voir Photo 3) puis visser les 2 entretoises fournies sur les filetages exposés.
- Monter la grille de protection en position, en veillant à ce que les 2 onglets de fixation se placent sur les 2 boulons inférieurs.
- Fixer la grille de radiateur en place en vissant les 2 boulons M6 (avec rondelles) dans la grille de protection radiateur puis dans les 2 entretoises.
- Serrer les 4 boulons selon la valeur de serrage recommandée.

R&G

Unit 1, Shelley's Lane, East Worldham, Alton, Hampshire, GU34 3AQ
 Tel: +44 (0)1420 89007 Fax: +44 (0)1420 87301 www.rg-racing.com Email: info@rg-racing.com



ISSUE 1 17/09/2018 (LF)

CONSUMER NOTICE

The catalogue description and any exhibition of samples are only broad indications of the Products and R&G may make design changes which do not diminish their performance or visual appeal and supplying them in such state shall conform to the order. The Buyer acknowledges no representation or warranty (other than as to title) has been given or will apply to the Products other than those in R&G's order or confirmation and the Buyer confirms it has chosen the Products as being of merchantable quality and suitable for its particular purposes. Where R&G fits the Products or undertakes other services it shall exercise reasonable skill and care and rectify any fault free of charge unless the workmanship has been disturbed. The Buyer is responsible for ensuring that the warranty on the motorcycle is not affected by the fitting of the Products. On return of any defective Products R&G shall at its option either supply a replacement or refund the purchase money but shall not be liable if the Products have been modified or used or maintained otherwise than in accordance with R&G's or manufacturer's instructions and good engineering practice or if the defect arises from accident or neglect. Other than identified above and subject to R&G not limiting its liability for causing death and personal injury, it shall not be liable for indirect or consequential loss and otherwise its liability shall be limited to the amounts paid by the Buyer for the Products or the fitting or service concerned. These terms do not affect the Buyer's statutory rights.

R&G RACING RETURNS POLICY (NON-FAULTY GOODS)

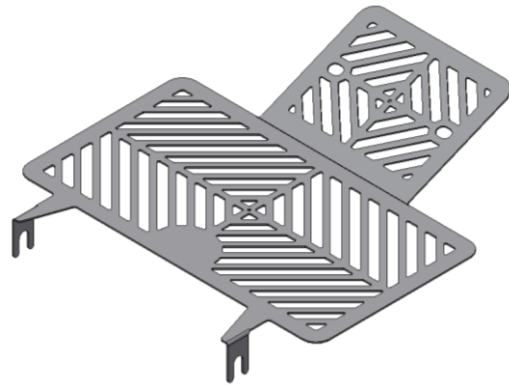
Returns must be pre-authorized (if not pre-authorized the return will be rejected). Goods may only be returned direct to us if they were purchased direct from us (customer must prove if necessary). Otherwise to be returned to original vendor. Goods must be in re-sellable condition, in the opinion of R&G Racing. All returns are subject to a 25% restocking and handling fee (25% of the gross value exc. P&P – at the prevailing price at time of purchase). The customer must pay any and all carriage charges. No returns of discontinued products, unless within 14 days of purchase. This policy does not affect your statutory rights and does not refer to faulty goods.

R&G

Unit 1, Shelley's Lane, East Worldham, Alton, Hampshire, GU34 3AQ
Tel: +44 (0)1420 89007 Fax: +44 (0)1420 87301 www.rg-racing.com Email: info@rg-racing.com



MONTAGEANLEITUNG FÜR SRG0068 KÜHLERSCHUTZ
DUCATI SCRAMBLER 1100 2018 –



ALLE KIT-TEILE SIND UNTEN ABGEBILDET UND GEKENNZEICHNET. BEVOR SIE MIT DER MONTAGE BEGINNEN, ÜBERPRÜFEN SIE, DASS ALLE TEILE VORHANDEN SIND.

Hinweis: Die Verpackung der Teile stellt nicht die Reihenfolge der Montage dar.

Hinweis für Kits mit Plastikunterlegscheiben an den Schrauben – Diese Plastikunterlegscheiben werden nicht für den Einbau benötigt!

DIE UNTEN ABGEBILDETEN TEILE DIENEN LEDIGLICH ZUR ERKLÄRUNG

Eine digitale Version dieser Montageanleitung kann auf folgender Seite heruntergeladen werden:
www.rg-racing.com

ANZUGSDREHMOMENT

M4 SCHRAUBE = 8Nm
M5 SCHRAUBE = 12Nm
M6 SCHRAUBE = 15Nm
M8 SCHRAUBE = 20Nm
M10 SCHRAUBE = 40Nm

SIE BENÖTIGEN FOLGENDES WERKZEUG

- Satz Inbusschlüssel
- Satz Steckschlüssel

Dieser Kit beinhaltet:

- 1x Kühlerschutz (SRG0068)
- 2 x S0833 Distanzhalter
- 2 x M6 x 10mm Linsenkopfschrauben
 - 2 x M6 Unterlegscheiben
- 2x 100mm selbstklebende Schaumstoffstreifen

R&G

Unit 1, Shelley's Lane, East Worldham, Alton, Hampshire, GU34 3AQ
Tel: +44 (0)1420 89007 Fax: +44 (0)1420 87301 www.rg-racing.com Email: info@rg-racing.com

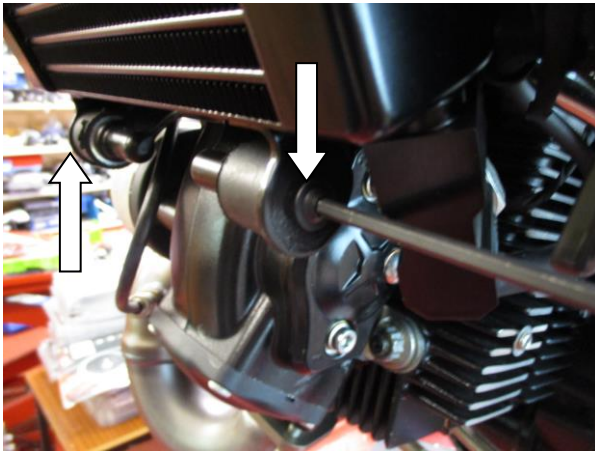


Abbildung 1

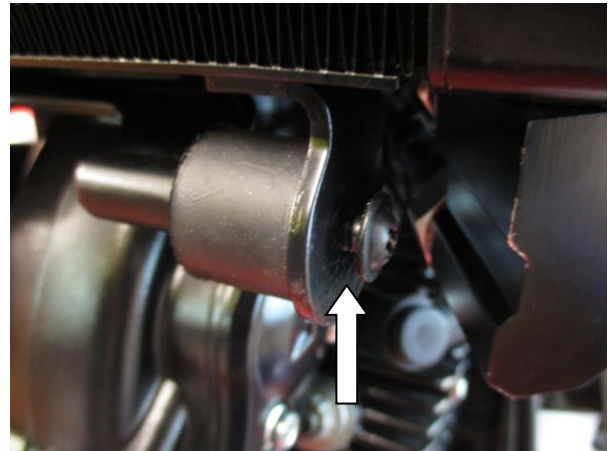


Abbildung 2

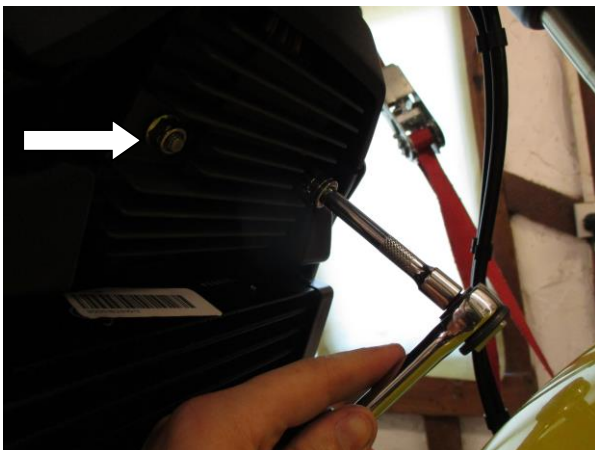


Abbildung 3



Abbildung 4

MONTAGEANLEITUNG

- Um den Kühlerschutz am Motorrad zu montieren, schneiden Sie zuerst die mitgelieferten Schaumstoffstreifen in 10 mm breite Streifen und kleben Sie diese auf der Rückseite des Kühlerschutzrahmens, so dass sie zwischen dem Kühlerschutz und dem Kühler angebracht sind (bitte diese gleichmäßig um den Kühlerschutzrahmen platzieren, sodass der Kühlerschutz den Kühler nicht berührt).
- Lösen Sie die zwei Schrauben unten am Kühler (siehe Abbildung 1), um 3mm Abstand zwischen den Schrauben und dem Kühler zu bekommen (siehe Abbildung 2).
- Entfernen Sie die zwei Muttern, die den Spannungsregler (siehe Abbildung 3) befestigen, und die zwei Adapter (mit Gewinde) vom Kit an den hervorstehenden Gewinden anbringen.
- Den R&G Kühlerschutz in Position bringen – bitte darauf achten, dass die zwei Montagelaschen über den zwei unteren Schrauben sind.
- Den Kühlerschutz in Position sichern, indem Sie die zwei M6 Schrauben (mit Unterlegscheiben) durch den Kühlerschutz in die zwei Distanzhalter mit Gewinde einführen.
- Ziehen Sie die vier Schrauben mit dem richtigen Anzugsdrehmoment fest.

AUSGABE 1 17/09/2018 (LF)

R&G

Unit 1, Shelley's Lane, East Worldham, Alton, Hampshire, GU34 3AQ
 Tel: +44 (0)1420 89007 Fax: +44 (0)1420 87301 www.rg-racing.com Email: info@rg-racing.com

**CONSUMER NOTICE**

The catalogue description and any exhibition of samples are only broad indications of the Products and R&G may make design changes which do not diminish their performance or visual appeal and supplying them in such state shall conform to the order. The Buyer acknowledges no representation or warranty (other than as to title) has been given or will apply to the Products other than those in R&G's order or confirmation and the Buyer confirms it has chosen the Products as being of merchantable quality and suitable for its particular purposes. Where R&G fits the Products or undertakes other services it shall exercise reasonable skill and care and rectify any fault free of charge unless the workmanship has been disturbed. The Buyer is responsible for ensuring that the warranty on the motorcycle is not affected by the fitting of the Products. On return of any defective Products R&G shall at its option either supply a replacement or refund the purchase money but shall not be liable if the Products have been modified or used or maintained otherwise than in accordance with R&G's or manufacturer's instructions and good engineering practice or if the defect arises from accident or neglect. Other than identified above and subject to R&G not limiting its liability for causing death and personal injury, it shall not be liable for indirect or consequential loss and otherwise its liability shall be limited to the amounts paid by the Buyer for the Products or the fitting or service concerned. These terms do not affect the Buyer's statutory rights.

R&G RACING RETURNS POLICY (NON-FAULTY GOODS)

Returns must be pre-authorized (if not pre-authorized the return will be rejected). Goods may only be returned direct to us if they were purchased direct from us (customer must prove if necessary). Otherwise to be returned to original vendor. Goods must be in re-sellable condition, in the opinion of R&G Racing. All returns are subject to a 25% restocking and handling fee (25% of the gross value exc. P&P – at the prevailing price at time of purchase). The customer must pay any and all carriage charges. No returns of discontinued products, unless within 14 days of purchase. This policy does not affect your statutory rights and does not refer to faulty goods.

R&G

Unit 1, Shelley's Lane, East Worldham, Alton, Hampshire, GU34 3AQ

Tel: +44 (0)1420 89007 Fax: +44 (0)1420 87301 www.rg-racing.com Email: info@rg-racing.com